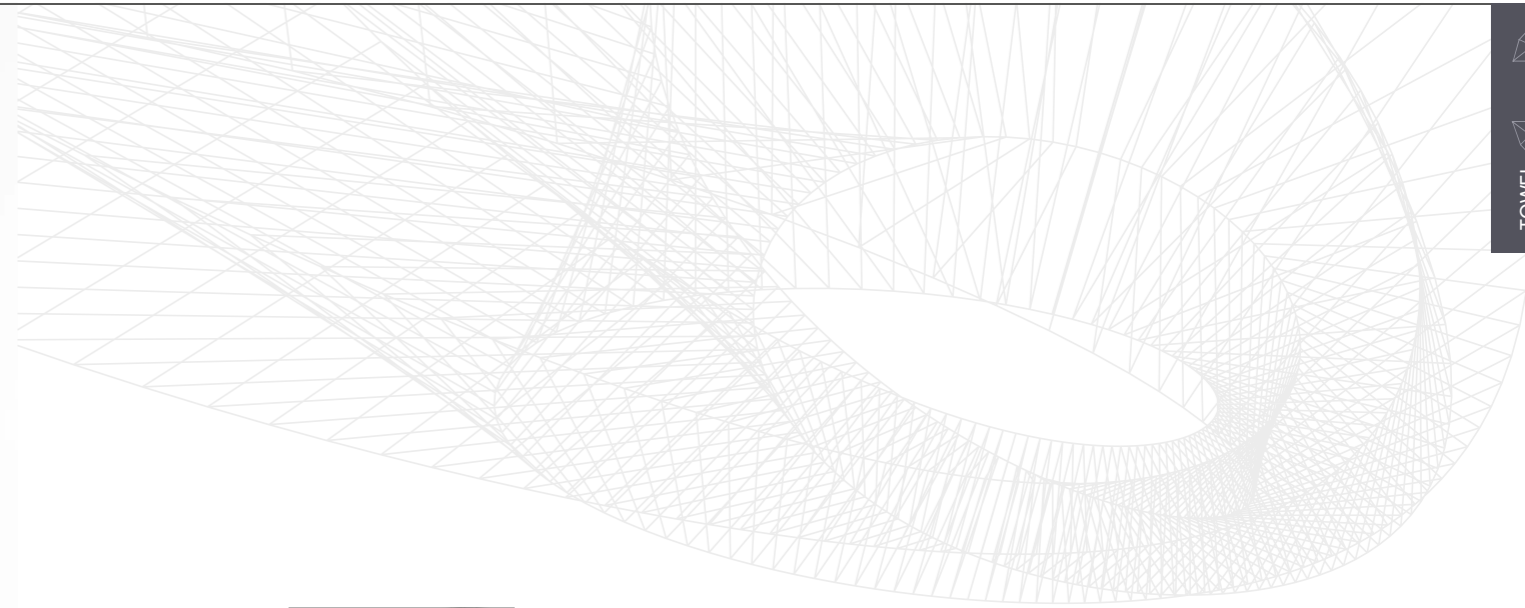
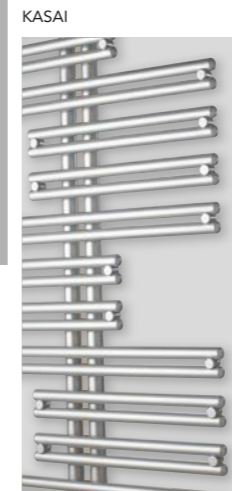


TOWEL  
WARMERS

TOWEL  
WARMERS



BANI



KASAI



MERSEY

## CONTEMPORARY TOWEL WARMERS

MYSON have a range of contemporary towel warmers that will add style, vibrancy and a bit of a wow factor to your bathroom. Our products have been expertly designed to look great, as well as serve as highly functional heat emitters. Our range is extremely diverse, from intricate masterpieces to stunningly simple designs, we're confident there is something for everyone. Most of our products come in a choice of finish, and several ranges are available in selected RAL colours, special textured, metallic and shimmer metallic finishes.

- Our contemporary collection is so versatile there is something to suit any bathroom
- Products like FATALA and KASAI can be used as bathroom radiators to warm towels or to add style to a living room or bedroom
- We also have a range of contemporary electric towel warmers, see pages 222 - 227 for details

## BANI

BANI is a square tube towel warmer in a ladder rail design. It is distinctive by its beautiful bright chrome finish that gives a light, modern feel to any bathroom. It is a premium, high output product, making it a practical and stylish choice.

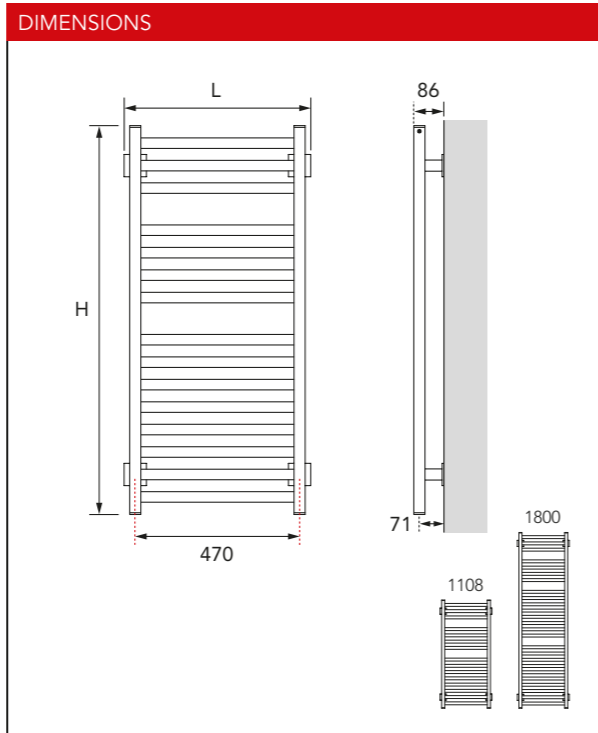


## FATALA

Introduce contemporary elegance in to your home with FATALA. Its attractive yet simple asymmetric design is both stylish and practical and will add a fresh modern look to a bathroom or living room. It's available in white or your choice of RAL colour as well as our special textured, metallic or shimmer metallic finishes.

### GENERAL SPECIFICATION

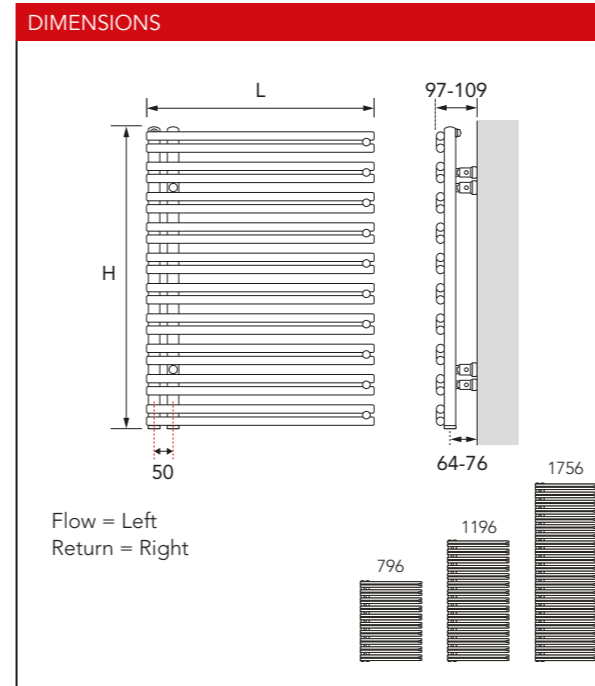
- CERTIFICATION**  
Manufactured and tested to EN 442. Carries the BS Kitemark and CE Mark. Produced under a quality management system - ISO 9001:2015, environmental management system - ISO 14001:2015 and Occupational health and safety management system - OHSAS 18001.
- SYSTEM**  
2 pipe pumped indirect domestic and commercial heating applications.
- CONNECTIONS**  
2 x 1/2" BSP as standard.
- AIR VENTS**  
Integrated.
- OPERATING PRESSURES**  
Tested to a pressure of 9.6 bar. Working pressure of up to 7.4 bar.
- GUARANTEE**  
10 year guarantee from date of purchase against manufacturing defects.
- DELIVERY**  
Stocked item (FAN1): 2 - 5 working days.  
Non-stocked item (FAN2): 6 - 8 weeks.
- COLOUR**  
Finished in chrome.
- MATERIAL**  
Manufactured from steel.
- ACCESSORIES**  
Please see page 145.
- VALVES**  
Please see page 144.



WEIGHTS, WATER CONTENTS & n-COEFFICIENTS			
Model	Weight (kg)	Water Content (l)	n-Coefficient
FAN1	16.40	4.80	1.302
FAN2	25.80	8.00	1.321

For more general information, please see page 276.

Order Code	Nominal Height (H) (mm)	Nominal Length (L) (mm)	Heat Outputs @ ΔT 50°C		Heat Outputs @ ΔT 30°C	
			Watts	Btu/h	Watts	Btu/h
FAN1	1108	532	328	1119	169	577
FAN2	1800	532	518	1767	264	901



WEIGHTS, WATER CONTENTS & n-COEFFICIENTS			
Model	Weight (kg)	Water Content (l)	n-Coefficient
MAE1	8.90	3.80	1.189
MAE2	13.30	5.90	1.202
MAE3	19.50	8.00	1.241

Order Code	Nominal Height (H) (mm)	Nominal Length (L) (mm)	Heat Outputs @ ΔT 50°C		Heat Outputs @ ΔT 30°C	
			Watts	Btu/h	Watts	Btu/h
MAE1	796	500	446	1522	243	829
MAE2	1196	500	650	2218	352	1201
MAE3	1756	500	897	3061	476	1624

### GENERAL SPECIFICATION

- CERTIFICATION**  
Manufactured and tested to EN 442. Carries the BS Kitemark and CE Mark. Produced under a quality management system - ISO 9001:2015, environmental management system - ISO 14001:2015 and Occupational health and safety management system - OHSAS 18001.
- ACCESSORIES**  
Please see page 145.
- SYSTEM**  
2 pipe pumped indirect domestic and commercial heating applications.
- CONNECTIONS**  
2 x 1/2" BSP as standard.
- AIR VENTS**  
Included in the packaging.
- GUARANTEE**  
10 year guarantee from date of purchase against manufacturing defects.
- OPERATING PRESSURES**  
Tested to a pressure of 13 bar. Working pressure of up to 10 bar.
- COLOUR**  
Finished in white (RAL 9016) or selected RAL, textured, metallic or shimmer metallic colours. Please see page 278.
- DELIVERY**  
Non-stocked item: 6 - 8 weeks.
- MATERIAL**  
Manufactured from steel.
- VALVES**  
Please see page 144.

For more general information, please see page 276.



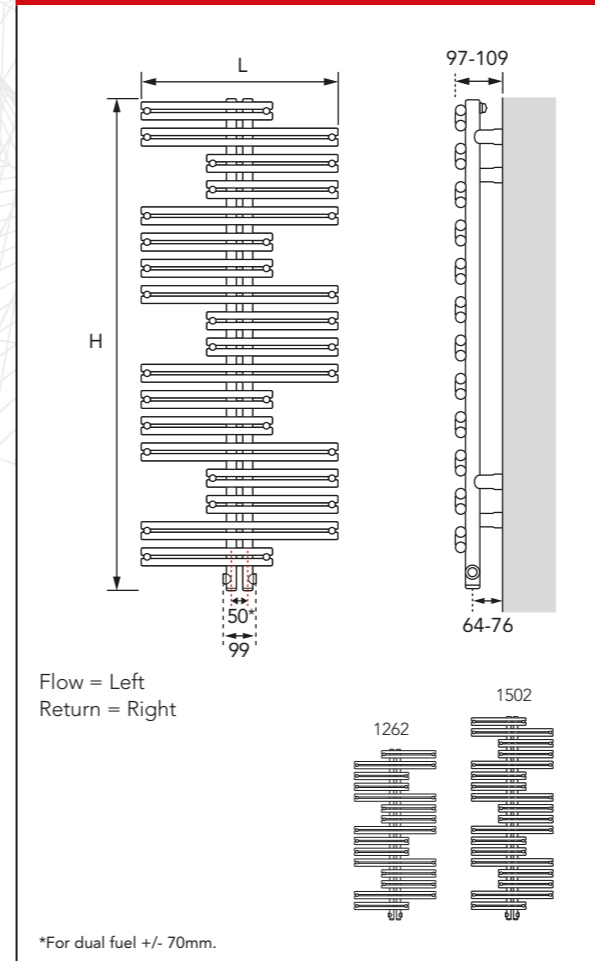
# KASAI

A striking and highly individual round tube radiator, KASAI demands to be noticed. It is a versatile choice and will make a strong addition to a bathroom or living space. It is available in selected RAL or metallic colour finishes to ensure that, whatever your décor, the KASAI will enhance your home.



RAL 9006  
White Aluminium

## DIMENSIONS



RAL 9016  
Traffic White

## WEIGHTS, WATER CONTENTS & n-COEFFICIENTS

Model	Weight (kg)	Water Content (l)	n-Coefficient
CAP1	13.30	5.30	1.253
CAP2	16.00	6.10	1.247

## GENERAL SPECIFICATION

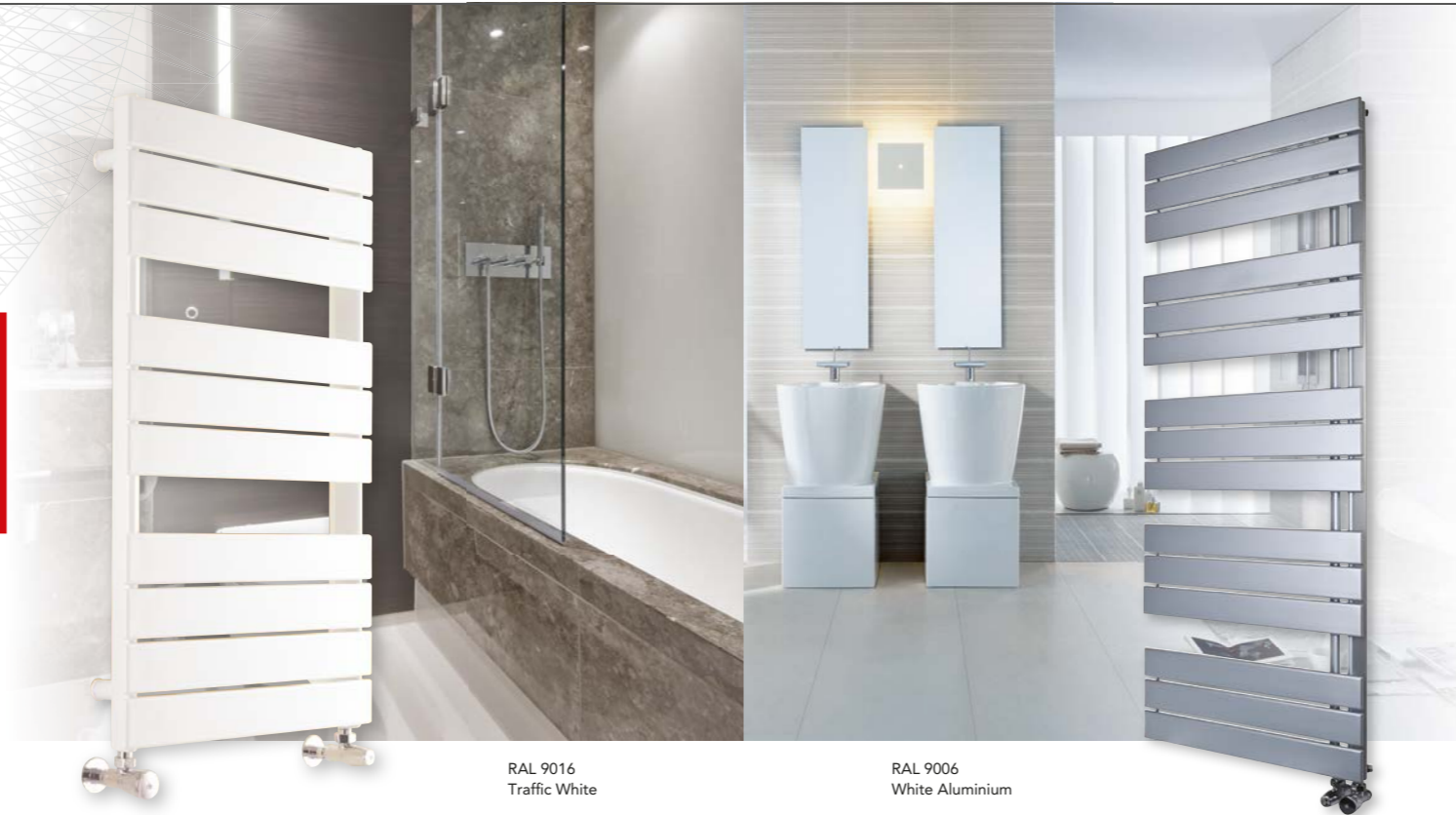
- CERTIFICATION**  
 Manufactured and tested to EN 442. Carries the BS Kitemark and CE Mark. Produced under a quality management system - ISO 9001:2015, environmental management system - ISO 14001:2015 and Occupational health and safety management system - OHSAS 18001.
- GUARANTEE**  
 10 year guarantee from date of purchase against manufacturing defects.
- COLOUR**  
 Finished in white (RAL 9016) or selected RAL, textured, metallic or shimmer metallic colours. Please see page 278.
- MATERIAL**  
 Manufactured from steel.
- ACCESSORIES**  
 Please see page 145.
- SYSTEM**  
 2 pipe pumped indirect domestic and commercial heating applications.
- CONNECTIONS**  
 4 x 1/2" BSP as standard - side or bottom connection possibilities.
- AIR VENTS**  
 Included in the packaging.
- OPERATING PRESSURES**  
 Tested to a pressure of 13 bar. Working pressure of up to 10 bar.
- DUAL FUEL**  
 ECO450 dual fuel heater kit available. Please see page 144.
- DELIVERY**  
 Non-stocked item: 6 - 8 weeks.
- VALVES**  
 Please see page 144.

For more general information, please see page 276.

Order Code	Nominal Height (H) (mm)	Nominal Length (L) (mm)	Heat Outputs @ ΔT 50°C		Heat Outputs @ ΔT 30°C		Dual Fuel Rating (Watts)
			Watts	Btu/h	Watts	Btu/h	
CAP1	1262	600	613	2092	323	1102	450
CAP2	1502	600	724	2470	383	1307	450

# INTERLUDE

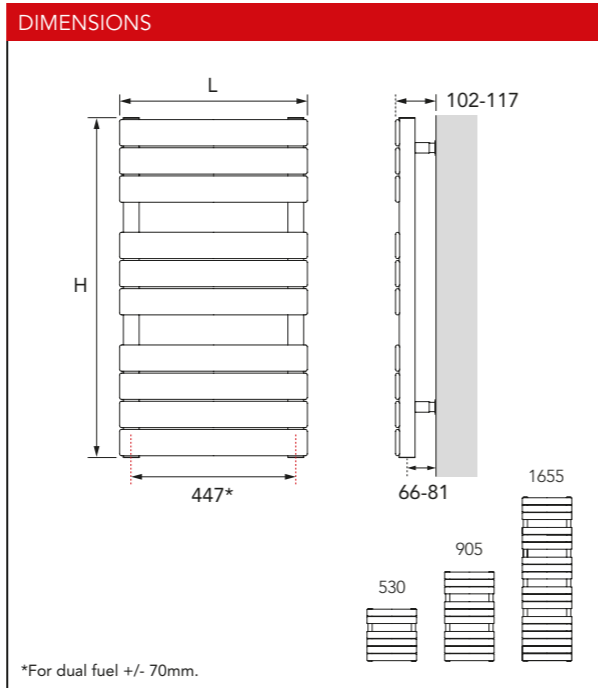
INTERLUDE is a simple and elegant flat tube radiator. It is manufactured from quality steel and has a sleek and streamlined appearance. It is both practical and attractive and is available in selected RAL, metallic or special metallic finishes.



## GENERAL SPECIFICATION

- CERTIFICATION**  
Manufactured and tested to EN 442. Carries the BS Kitemark and CE Mark. Produced under a quality management system - ISO 9001:2015, environmental management system - ISO 14001:2015 and Occupational health and safety management system - OHSAS 18001.
- CONNECTIONS**  
2 x 1/2" BSP as standard.
- AIR VENTS**  
Included in the packaging.
- OPERATING PRESSURES**  
Tested to a pressure of 5.2 bar. Working pressure of up to 4 bar.
- DUAL FUEL**  
ECO450 dual fuel heater kit available for INT2 & INT3 only. Please see page 144.
- DELIVERY**  
Stocked items (white/RAL 9006): 2 - 5 working days. Non-stocked items (colour): 6 - 8 weeks.
- VALVES**  
Please see page 144.
- GUARANTEE**  
10 year guarantee from date of purchase against manufacturing defects.
- COLOUR**  
Finished in white (RAL 9016) or selected RAL, textured, metallic or shimmer metallic colours. Please see page 278.
- MATERIAL**  
Manufactured from steel.
- SYSTEM**  
2 pipe pumped indirect domestic and commercial heating applications.

For more general information, please see page 276.

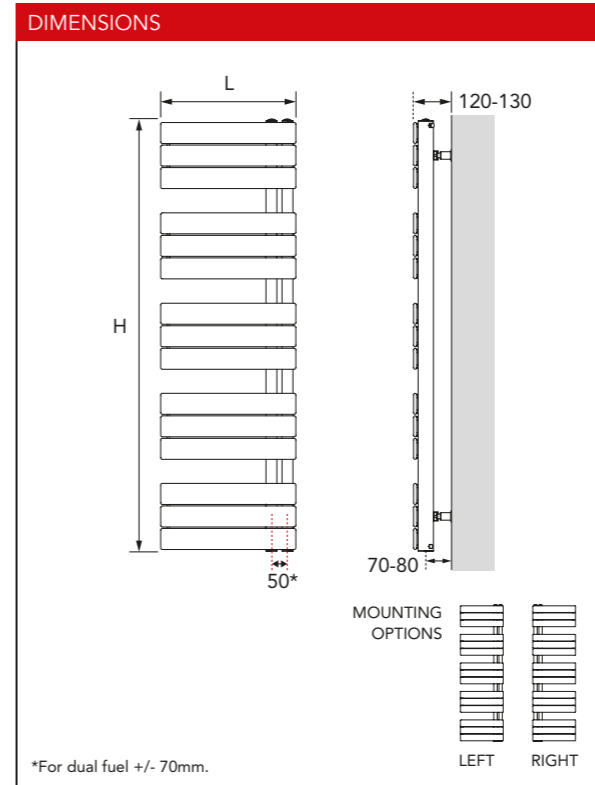


WEIGHTS, WATER CONTENTS & n-COEFFICIENTS			
Model	Weight (kg)	Water Content (l)	n-Coefficient
INT1	9.31	2.9	1.190
INT2	13.68	4.8	1.205
INT3	19.86	8.6	1.227

Order Code	Nominal Height (H) (mm)	Nominal Length (L) (mm)	Heat Outputs @ ΔT 50°C		Heat Outputs @ ΔT 30°C		Dual Fuel Rating
			Watts	Btu/h	Watts	Btu/h	
INT1	530	500	295	1007	161	549	-
INT2	905	500	470	1604	254	867	450
INT3	1655	500	817	2788	435	1484	450

# MARANOA

MARANOA has an attractive asymmetric design that uses blocks and spaces to create a distinctive appearance. The large flat tubes are both stylish and practical and, with left or right hand side mounting options, it offers flexibility in any project. MARANOA is available in selected RAL, metallic or special metallic finishes.



WEIGHTS, WATER CONTENTS & n-COEFFICIENTS			
Model	Weight (kg)	Water Content (l)	n-Coefficient
CHO2	21.28	8.5	1.272

Order Code	Nominal Height (H) (mm)	Nominal Length (L) (mm)	Heat Outputs @ ΔT 50°C		Heat Outputs @ ΔT 30°C		Dual Fuel Rating
			Watts	Btu/h	Watts	Btu/h	
CHO2	1430	600	855	2917	446	1522	450

## GENERAL SPECIFICATION

- CERTIFICATION**  
Manufactured and tested to EN 442. Carries the BS Kitemark and CE Mark. Produced under a quality management system - ISO 9001:2015, environmental management system - ISO 14001:2015 and Occupational health and safety management system - OHSAS 18001.
- CONNECTIONS**  
2 x 1/2" BSP as standard.
- AIR VENTS**  
Integrated.
- OPERATING PRESSURES**  
Tested to a pressure of 5.2 bar. Working pressure of up to 4 bar.
- DUAL FUEL**  
ECO450 dual fuel heater kit available. Please see page 144.
- DELIVERY**  
Non-stocked item: 6 - 8 weeks.
- VALVES**  
Please see page 144.
- GUARANTEE**  
10 year guarantee from date of purchase against manufacturing defects.
- COLOUR**  
Finished in white (RAL 9016) or selected RAL, textured, metallic or shimmer metallic colours. Please see page 278.
- MATERIAL**  
Manufactured from steel.
- SYSTEM**  
2 pipe pumped indirect domestic and commercial heating applications.

For more general information, please see page 276.

## MERSEY

MERSEY is an extremely functional radiator. It combines all the advantages of a PREMIER HE radiator and towel warmer for a truly practical design. It is manufactured from high quality brass with an attractive polished chrome plated finish. MERSEY is ideal for use not just in bathrooms but also kitchens, cloakrooms and other small areas.



## OUSE

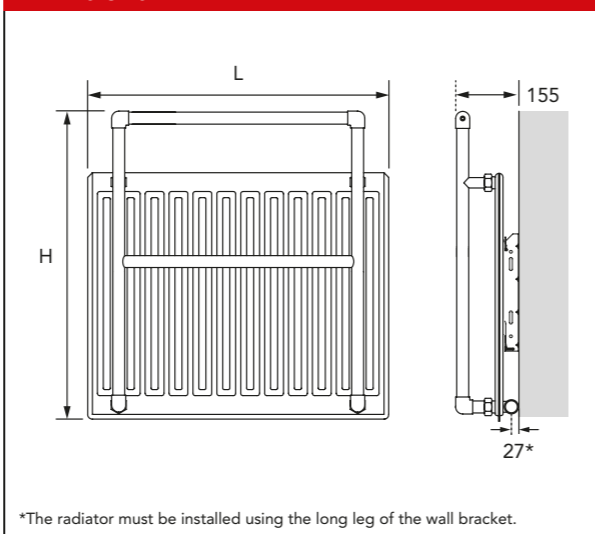
OUSE is a highly practical combination radiator. At its centre is a PREMIER HE radiator that produces high heat outputs. This is surrounded by a functional round tube frame that is manufactured from high quality brass and has an attractive polished chrome plated finish.

### GENERAL SPECIFICATION

- CERTIFICATION**  
Manufactured and tested to EN 442. Carries the BS Kitemark and CE Mark. Produced under a quality management system - ISO 9001:2015, environmental management system - ISO 14001:2015 and Occupational health and safety management system - OHSAS 18001.
- GUARANTEE**  
10 year guarantee from date of purchase against manufacturing defects.
- COLOUR**  
Frame finished in chrome. Radiator in white (RAL 9016).
- MATERIAL**  
Frame manufactured from brass. Radiator manufactured from steel.
- SYSTEM**  
2 pipe pumped indirect domestic and commercial heating applications.
- CONNECTIONS**  
2 x 1/2" BSP as standard.
- AIR VENTS**  
Integrated.
- OPERATING PRESSURES**  
Tested to a pressure of 6.9 bar. Working pressure of up to 5.3 bar.
- DELIVERY**  
2 - 5 working days.
- VALVES**  
Please see page 144.

For more general information, please see page 276.

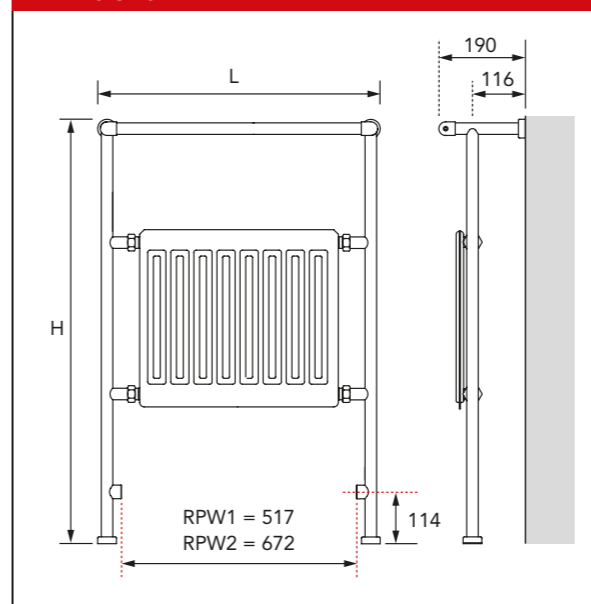
### DIMENSIONS



### WEIGHTS

Model	Weight (kg)
MTR2	11.10
MTR4	15.10

### DIMENSIONS



### WEIGHTS & n-COEFFICIENTS

Model	Weight (kg)	n-Coefficient
RPW1	10.90	1.212
RPW2	12.40	1.212

### GENERAL SPECIFICATION

- CERTIFICATION**  
Manufactured and tested to EN 442. Carries the BS Kitemark and CE Mark. Produced under a quality management system - ISO 9001:2015, environmental management system - ISO 14001:2015 and Occupational health and safety management system - OHSAS 18001.
- GUARANTEE**  
10 year guarantee from date of purchase against manufacturing defects.
- COLOUR**  
Frame finished in chrome. Radiator in white (RAL 9016).
- MATERIAL**  
Frame manufactured from brass. Radiator manufactured from steel.
- ACCESSORIES**  
Please see page 144.
- SYSTEM**  
2 pipe pumped indirect domestic and commercial heating applications.
- CONNECTIONS**  
2 x 1/2" BSP as standard.
- AIR VENTS**  
Integrated.
- OPERATING PRESSURES**  
Tested to a pressure of 6.9 bar. Working pressure of up to 5.3 bar.
- DELIVERY**  
2 - 5 working days.
- VALVES**  
Please see page 144.

For more general information, please see page 276.

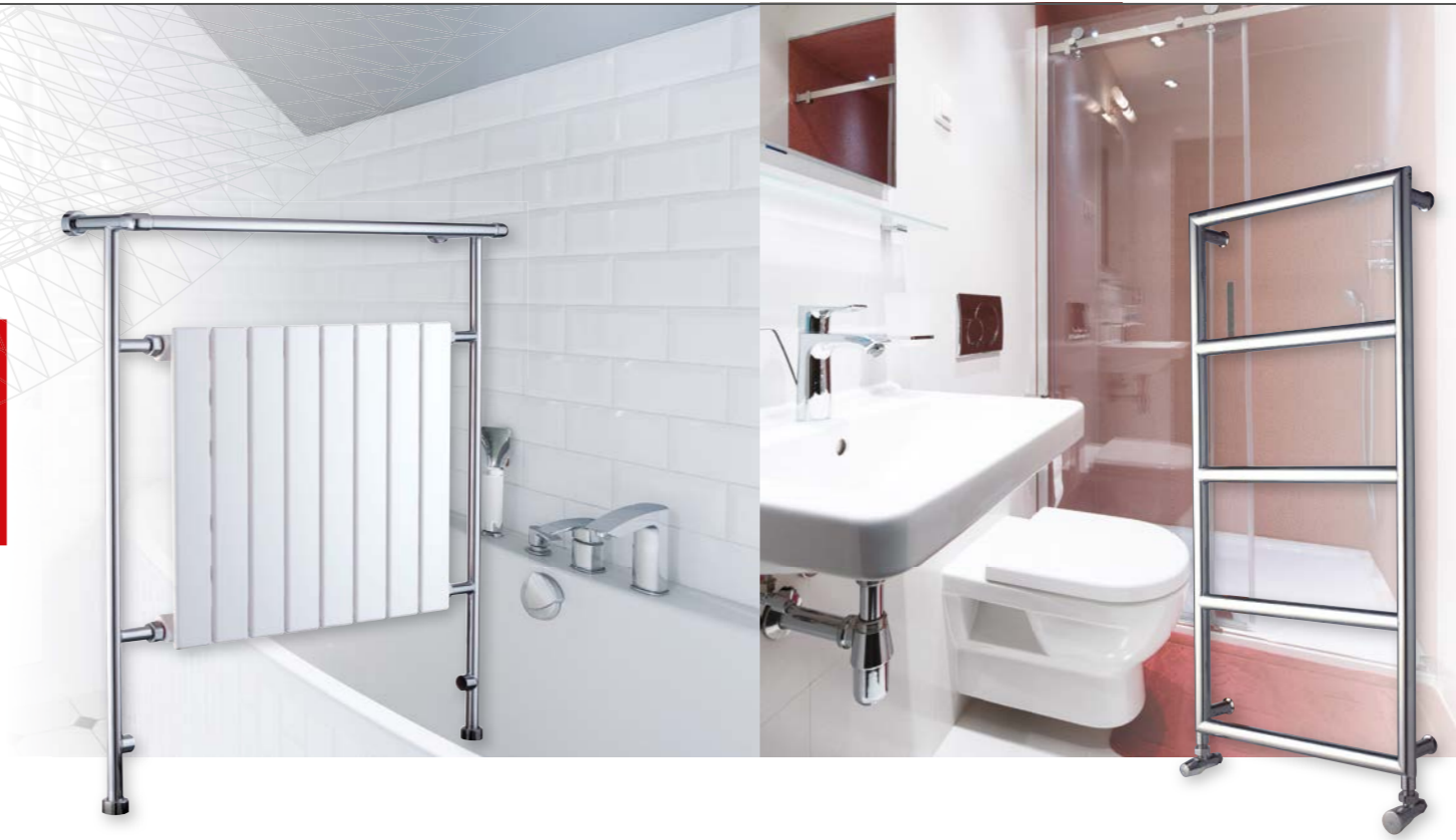
Order Code	Nominal Height (H) (mm)	Nominal Length (L) (mm)	Heat Outputs @ ΔT 50°C		Heat Outputs @ ΔT 30°C	
			Watts	Btu/h	Watts	Btu/h
MTR2	655	640	385*	1314*	208*	709*
MTR4	809	745	564*	1924*	295*	1007*

\*Outputs NPD, see page 277.

Order Code	Nominal Height (H) (mm)	Nominal Length (L) (mm)	Heat Outputs @ ΔT 50°C		Heat Outputs @ ΔT 30°C	
			Watts	Btu/h	Watts	Btu/h
RPW1	934	622	290	989	156	532
RPW2	934	777	359	1225	193	659

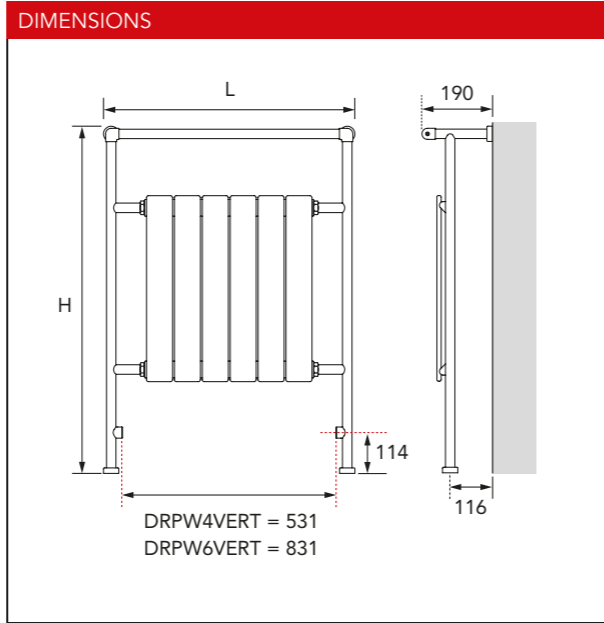
# SOKOTO

SOKOTO is a stylish and distinctive combination radiator. It is highly practical, with a flat tube DÉCOR radiator at its centre, giving it not only high heat outputs, but an attractive appearance. The outer rail is manufactured from high quality brass with an attractive polished chrome plated finish which gives it a truly modern feel.



## GENERAL SPECIFICATION

- CERTIFICATION**  
Manufactured and tested to EN 442. Carries the BS Kitemark and CE Mark. Produced under a quality management system - ISO 9001:2015, environmental management system - ISO 14001:2015 and Occupational health and safety management system - OHSAS 18001.
- 10 GUARANTEE**  
10 year guarantee from date of purchase against manufacturing defects.
- COLOUR**  
Frame finished in chrome. Radiator in white (RAL 9016).
- MATERIAL**  
Frame manufactured from brass. Radiator manufactured from steel.
- ACCESSORIES**  
Please see page 144.
- SYSTEM**  
2 pipe pumped indirect domestic and commercial heating applications.
- CONNECTIONS**  
2 x 1/2" BSP as standard.
- AIR VENTS**  
Integrated.
- OPERATING PRESSURES**  
Tested to a pressure of 6.9 bar. Working pressure of up to 5.3 bar.
- DELIVERY**  
2 - 5 working days.
- VALVES**  
Please see page 144.



WEIGHTS & n-COEFFICIENTS		
Model	Weight (kg)	n-Coefficient
DRPW4VERT	13.70	1.224
DRPW6VERT	18.80	1.224

For more general information, please see page 276.

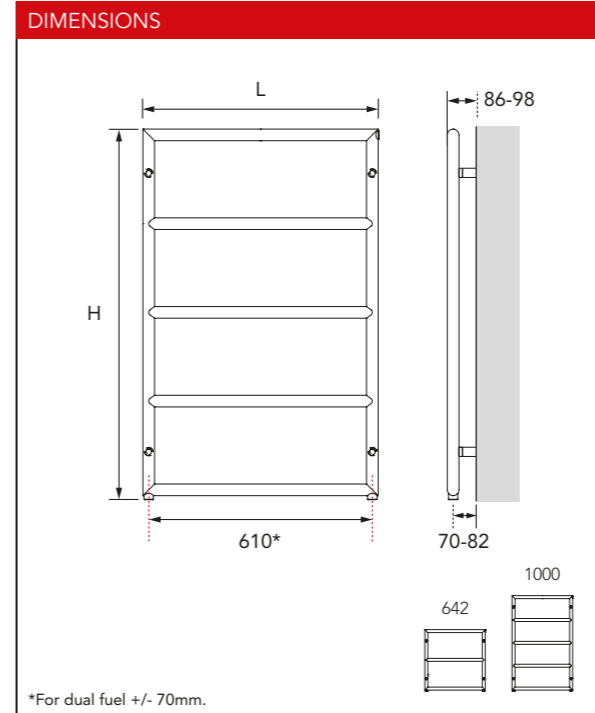
Order Code	Nominal Height (H) (mm)	Nominal Length (L) (mm)	Heat Outputs @ ΔT 50°C		Heat Outputs @ ΔT 30°C	
			Watts	Btu/h	Watts	Btu/h
DRPW4VERT	934	636	387	1320	207	706
DRPW6VERT	934	936	559	1907	299	1020

# STOUR

STOUR is a beautifully simple frame and rail design that will look classy and elegant in any bathroom. Its round tubes are manufactured from quality brass with a highly polished chrome finish.

## GENERAL SPECIFICATION

- CERTIFICATION**  
Manufactured and tested to EN 442. Carries the BS Kitemark and CE Mark. Produced under a quality management system - ISO 9001:2015, environmental management system - ISO 14001:2015 and Occupational health and safety management system - OHSAS 18001.
  - 10 GUARANTEE**  
10 year guarantee from date of purchase against manufacturing defects.
  - COLOUR**  
Finished in chrome.
  - MATERIAL**  
Manufactured from brass.
  - SYSTEM (INDIRECT)**  
2 pipe pumped indirect domestic and commercial heating applications.
  - SYSTEM (DIRECT)**  
Suitable for direct systems. Please refer to page 277 for information on dezincification.
  - CONNECTIONS**  
2 x 1/2" BSP as standard.
  - AIR VENTS**  
Integrated.
  - OPERATING PRESSURES**  
Tested to a pressure of 6.9 bar. Working pressure of up to 5.3 bar.
  - DUAL FUEL**  
PTC dual fuel heater kit options available. Please see table below or page 144.
  - APM® TECHNOLOGY**  
PTC heater kit comes with APM® technology. Please see page 277.
  - DELIVERY**  
2 - 5 working days.
  - VALVES**  
Please see page 144.
- For more general information, please see page 276.



WEIGHTS	
Model	Weight (kg)
BEA1	5.20
BEA6	7.60

DUAL FUEL HEATER KITS	
Model	Dual Fuel Order Code
BEA1	PTC75
BEA6	PTC150

Order Code	Nominal Height (H) (mm)	Nominal Length (L) (mm)	Heat Outputs @ ΔT 50°C		Heat Outputs @ ΔT 30°C		Dual Fuel Rating
			Watts	Btu/h	Watts	Btu/h	
BEA1	642	642	193*	659*	104*	356*	75
BEA6	1000	642	274*	935*	148*	505*	150

\*Outputs NPD, see page 277.